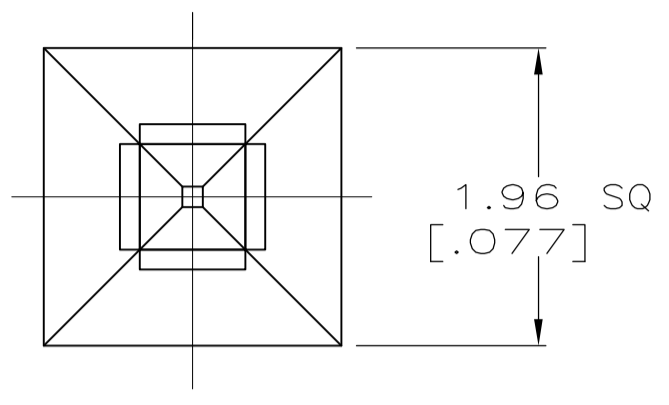
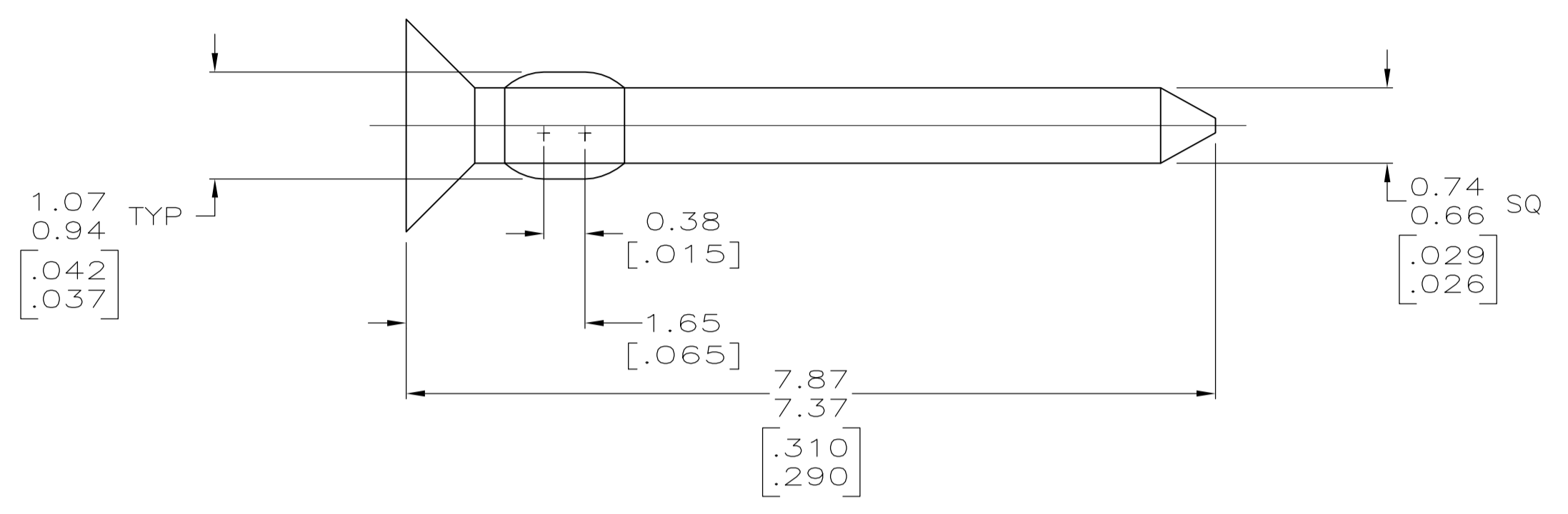
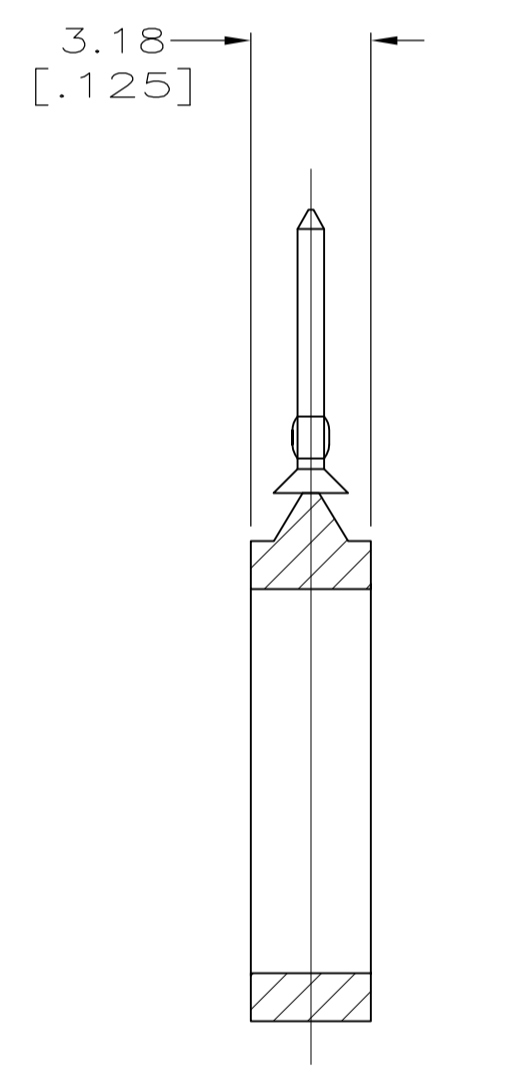


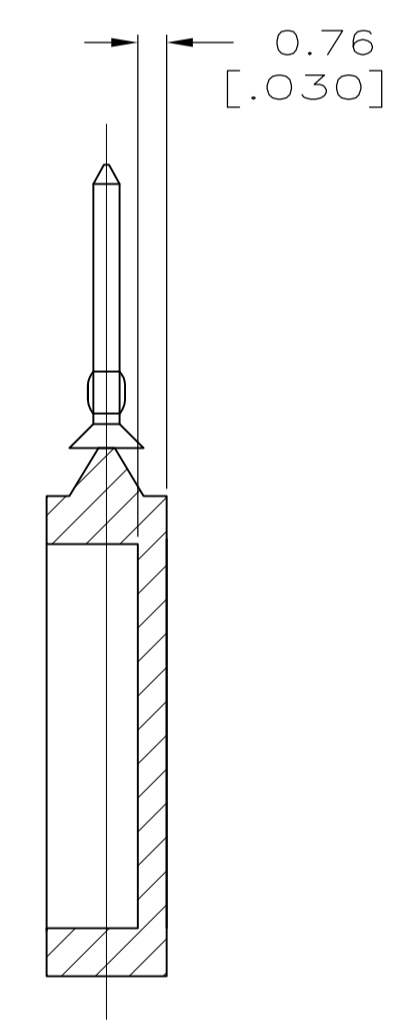
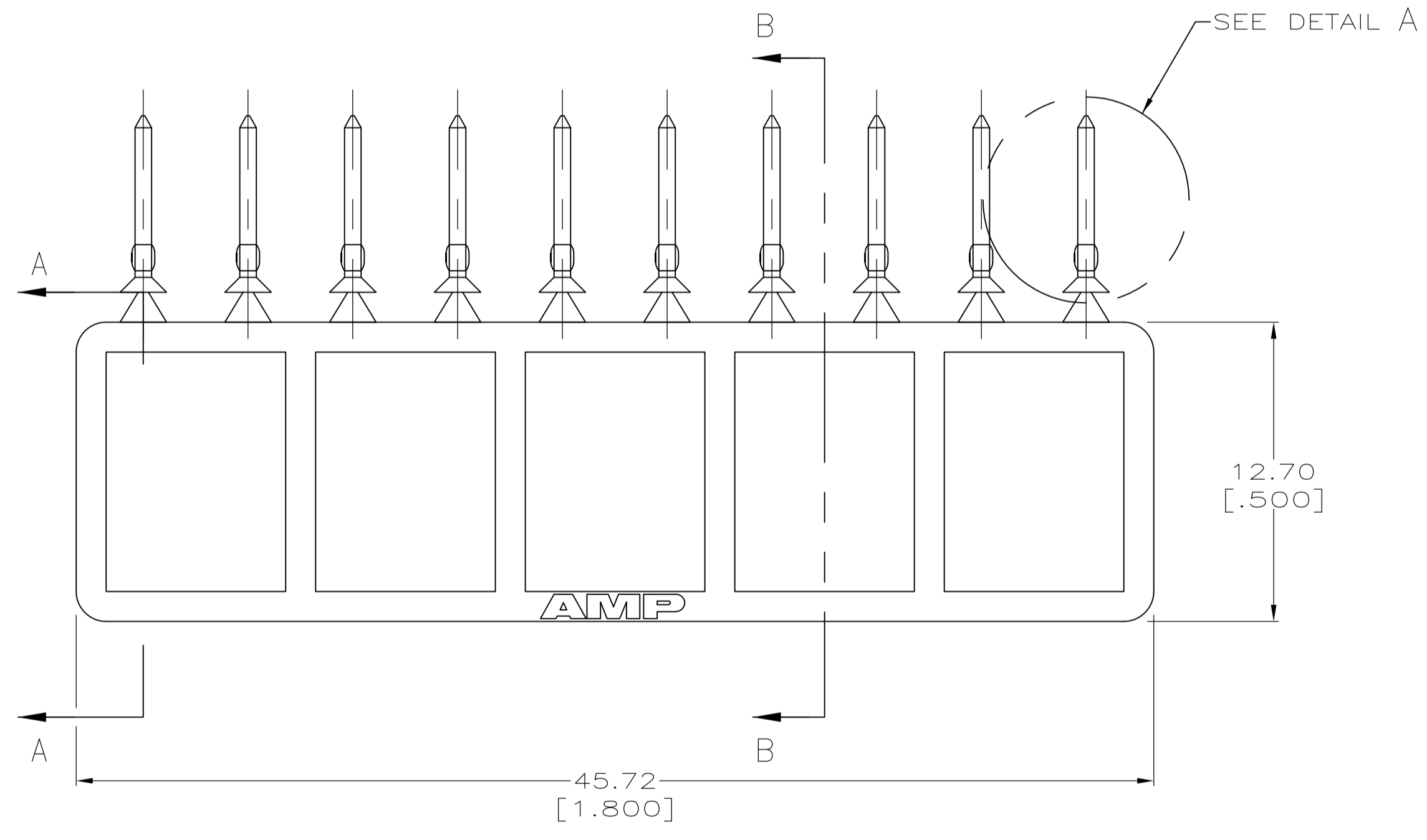
1. DIMENSIONS IN BRACKETS ARE IN INCHES.
2. NOTE ONE STRIP IS ORDERED AS 10 PIECES OF 641994-1.
3. MISALIGNMENT OF KEYING PLUGS ON CARRIER STRIP IS ALLOWABLE. KEYING PLUGS MUST REMAIN ATTACHED TO CARRIER.



DETAIL A  
 SCALE 20:1  
 ROTATED 90° CW



SECTION A-A



SECTION B-B  
 OPTIONAL CONSTRUCTION  
 2 PLC

641994-1  
 PART NUMBER

METRIC

THIS DRAWING IS A CONTROLLED DOCUMENT.		DIN K. WHITAKER 12SEP2005	Tyco Electronics Corporation Harrisburg, Pa 17105-3608	
DIMENSIONS: mm [INCHES]		CHK J. ELLIS 12SEP2005	NAME KEYING PLUG WITH CARRIER STRIP, MTA 100	
TOLERANCES UNLESS OTHERWISE SPECIFIED:		APVD J. ELLIS 12SEP2005	PRODUCT SPEC	
0. PLC ± -		APPLICATION SPEC		
1. PLC ± -		SIZE		
2. PLC ± -		CAGE CODE		
3. PLC ± 0.13 [.005]		DRAWING NO		
4. PLC ± -		RESTRICTED TO		
ANGLES ± -		WEIGHT		
MATERIAL NYLON, 6/6	FINISH -	A1 00779 C=641994		SCALE 5:1
CUSTOMER DRAWING		SHEET 1 OF 1		REV D1